

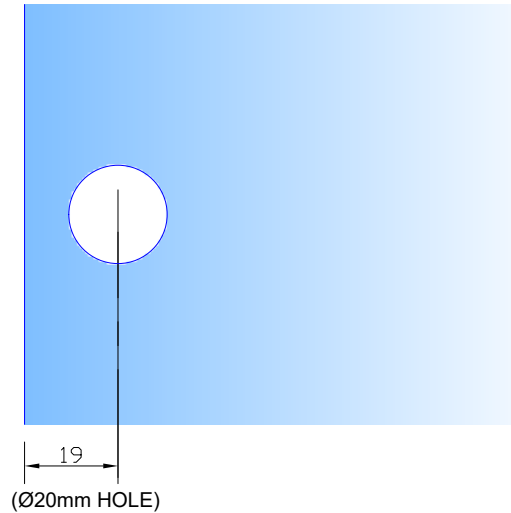


Express Toughening, 51-55 Fowler Road, Hainault, Essex, IG6 3UT

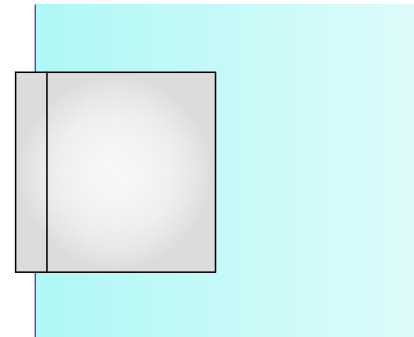
Tel: +44 (0)20 8500 1188
 info@expresstoughening.com
 www.expresstoughening.com

Copyright (C) - October 2020, All Rights Reserved

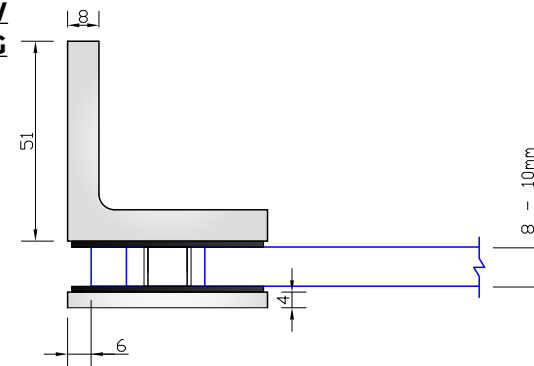
**REQUIRED
GLASS PREP**



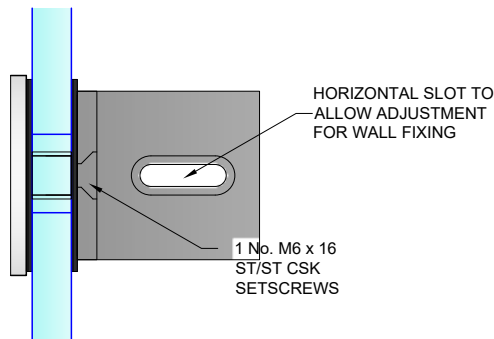
**REAR VIEW
ON FITTING**



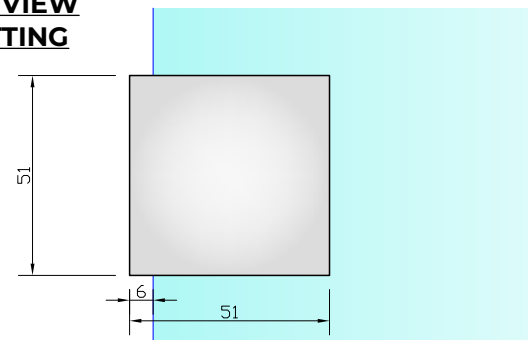
**PLAN VIEW
ON FITTING**



**SIDE VIEW
WITHOUT COVER**



**FRONT VIEW
ON FITTING**



(6mm GLASS GAP TO WALL REQ.)

NOTES/SPECIFICATION:

ALL VISIBLE COMPONENTS IN CHROME PLATED BRASS.

PRODUCT SUITABLE FOR 8 TO 10mm TOUGHENED GLASS PANES.

FITTING SUPPLIED COMPLETE WITH:-

- 1) 2 No. x 1.5mm BLACK RUBBER GLAZING GASKETS.
- 2) 1 No. M6 x 16mm ST/ST HEX HEAD CSK SETSCREW.

(NOTE: GENERIC WALL FIXING SUPPLIED, HOWEVER CUSTOMER TO PROVIDE ALTERNATIVE FIXINGS WHERE REQUIRED)

PRODUCT REF: SH/APH/B01_D

DESCRIPTION: DIMENSIONED ELEVATIONS AND REQUIRED GLASS PREP DETAIL

DRAWING REF: SH/APH/B01_D - 001