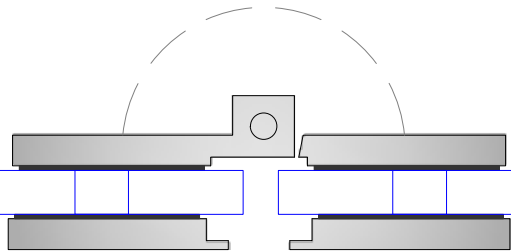
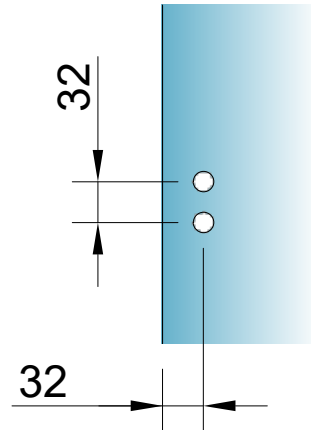
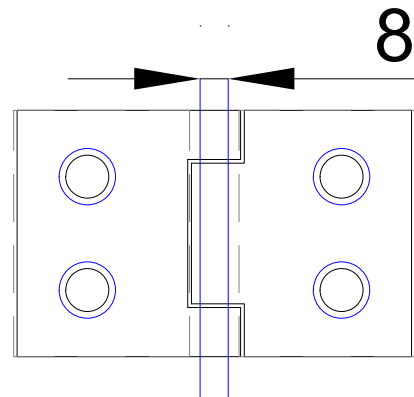
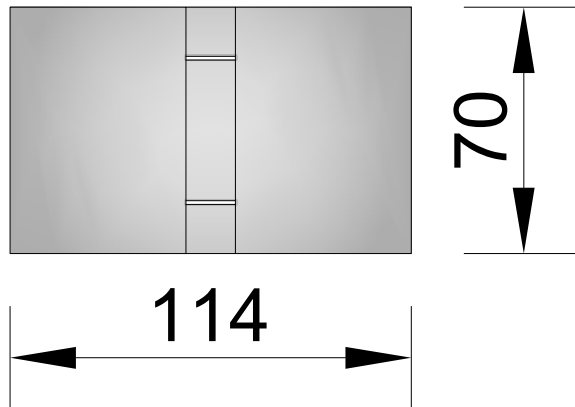


GLASS PREP
 Ø16mm HOLES



8mm GLASS TO GLASS GAP
 TYPICAL SEAL SH/GGA/S16 (_10)



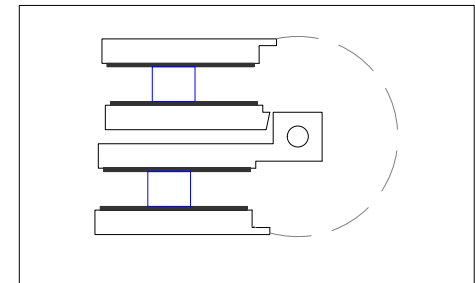
Express Toughening, 51-55 Fowler Road, Hainault,
 Essex, IG6 3UT

Tel: +44 (0)20 8500 1188
 info@expresstoughening.com
 www.expresstoughening.com

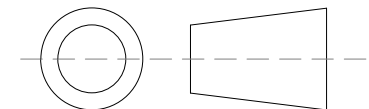
Copyright (C) - October 2020, All Rights Reserved

NOTES/SPECIFICATION:

- ALL VISIBLE COMPONENTS IN CHROME PLATED BRASS.
- PRODUCT SUITABLE FOR 8 TO 10mm TOUGHENED GLASS PANES.
- HINGE SUPPLIED COMPLETE WITH COVERS AND GLASZING GASKETS.
- (NOTE CUSTOMER TO PROVIDE ALTERNATIVE FIXINGS WHERE REQUIRED)



3rd Angle Projection



PRODUCT REF:	SH/NKE/5202
DESCRIPTION:	DIMENSIONED ELEVATIONS AND GLASS PREP DETAILS
DRAWING REF:	SH/NKE/5202