

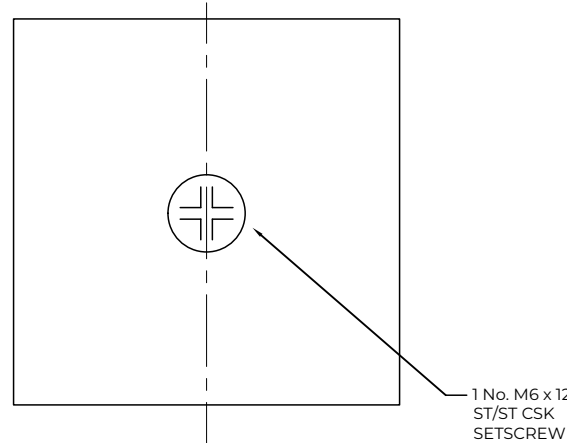


Express Toughening, 51-55 Fowler Road, Hainault,  
Essex, IG6 3UT

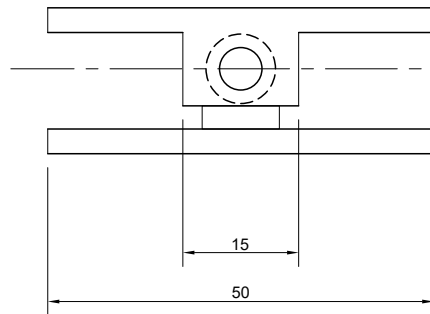
Tel: +44 (0)20 8500 1188  
info@expresstoughening.com  
www.expresstoughening.com

Copyright (C) - October 2020, All Rights Reserved

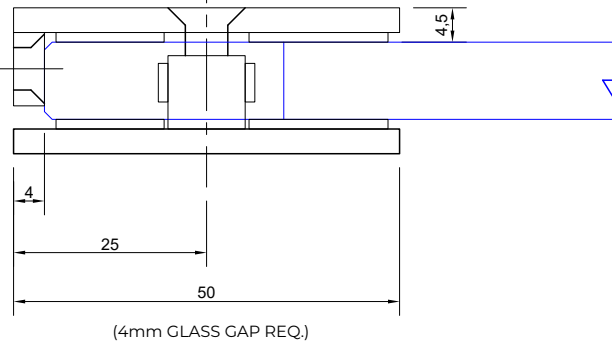
**BACK VIEW  
ON FITTING**



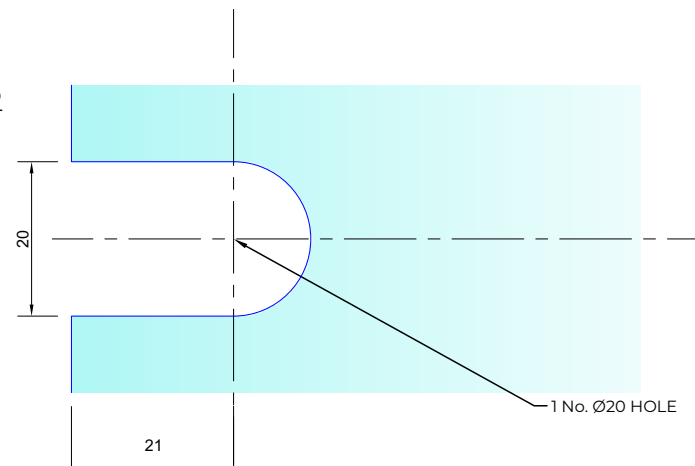
**REAR VIEW  
ON FITTING**



**SECTION  
THROUGH  
FITTING**



**REQUIRED  
GLASS PREP**



**NOTES/SPECIFICATION:**

ALL FITTING COMPONENTS IN BRUSHEND NICKEL PLATED BRASS.

PRODUCT SUITABLE FOR 8 TO 10mm TOUGHENED GLASS PANES.

FITTING SUPPLIED COMPLETE WITH:-

- 1) 2 No. x 1.25mm TRANSLUCENT GASKETS
- 2) 1 No. M6 x 12mm ST/ST POSI DRIVE CSK SETSCREWS
- 3) 1 No. 12 x 40mm CSK POSI DRIVE SCREWS AND PLASTIC PLUGS

(NOTE CUSTOMER TO PROVIDE ALTERNATIVE FIXINGS WHERE REQUIRED)

**PRODUCT REF: SH/APH/B05\_S**

**DESCRIPTION:** DIMENSIONED ELEVATIONS AND REQUIRED GLASS PREP DETAIL

**DRAWING REF: SH/APH/B05\_S - 001D**