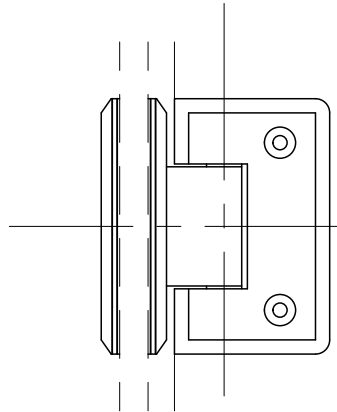
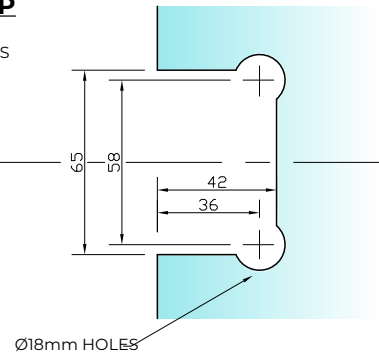


**REAR VIEW
ON HINGE**



**REQUIRED
GLASS PREP**
TO BOTH FIXED
AND DOOR GLASS

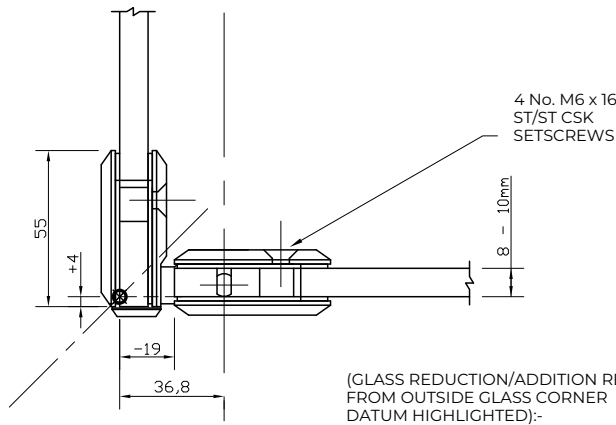


**Express Toughening, 51-55 Fowler Road, Hainault,
Essex, IG6 3UT**

Tel: +44 (0)20 8500 1188
info@expresstoughening.com
www.expresstoughening.com

Copyright (C) - October 2020, All Rights Reserved

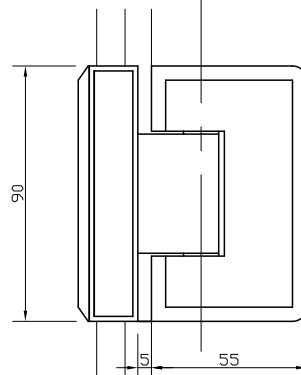
**PLAN VIEW
ON HINGE**



(GLASS REDUCTION/ADDITION REQ.
FROM OUTSIDE GLASS CORNER
DATUM HIGHLIGHTED):-

+ 4mm (FIXED GLASS SIDE)
- 19mm (DOOR GLASS SIDE)

**FRONT VIEW
ON HINGE**



NOTES/SPECIFICATION:

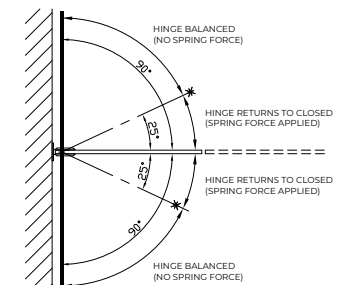
ALL HINGE COMPONENTS IN CHROME PLATED BRASS.

PRODUCT SUITABLE FOR 8 TO 10mm TOUGHENED GLASS PANES.

HINGE SUPPLIED COMPLETE WITH:-

- 1) 8 No. x 1.25mm TRANSLUCENT RUBBER GLAZING WASHERS.
- 2) 4 No. M6 x 16mm ST/ST HEX SOCKET HEAD CSK SETSCREWS
- 3) 1 No. HEX SOCKET ALLEN KEY TO SUIT

(NOTE CUSTOMER TO PROVIDE ALTERNATIVE FIXINGS WHERE
REQUIRED)



PRODUCT REF:	SH/APH/H09
DESCRIPTION:	DIMENSIONED ELEVATIONS AND GLASS PREP DETAILS
DRAWING REF:	SH/APH/H09 - 001A