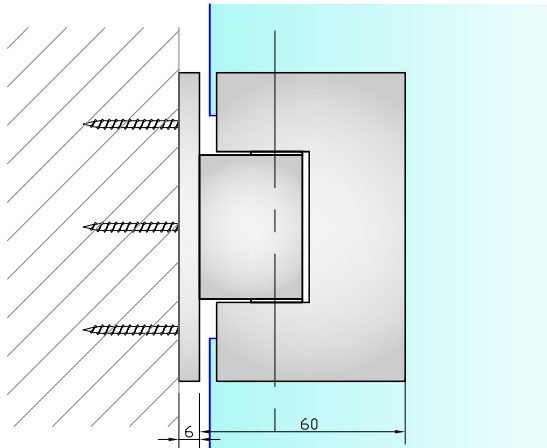
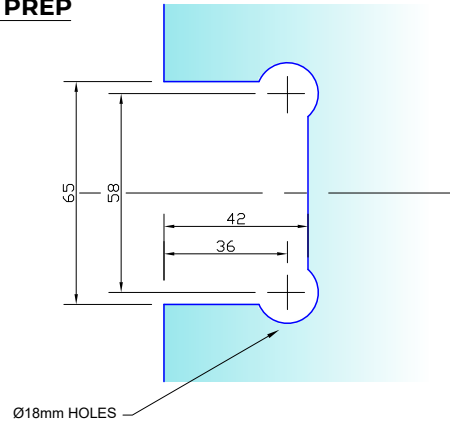


**REAR VIEW
ON HINGE**

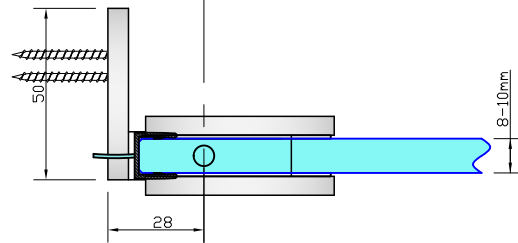


**REQUIRED
GLASS PREP**

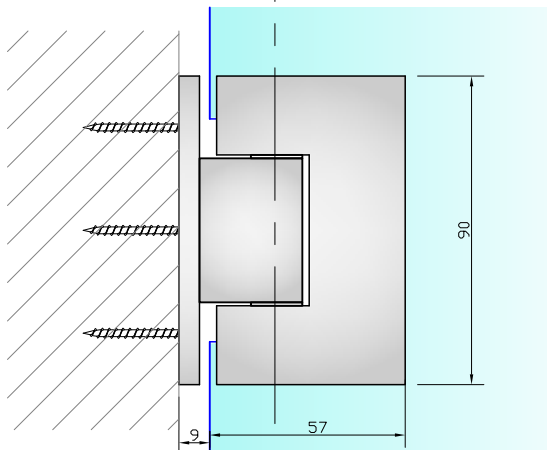


**PLAN VIEW
ON HINGE**

Seal shown is SH/GGA/S06 (f10)



**FRONT VIEW
ON HINGE**



(9mm GLASS REDUCTION REQ.)



Express Toughening, 51-55 Fowler Road, Hainault, Essex, IG6 3UT

Tel: +44 (0)20 8500 1188
info@expresstoughening.com
www.expresstoughening.com

Copyright (C) - October 2020, All Rights Reserved

NOTES/SPECIFICATION:

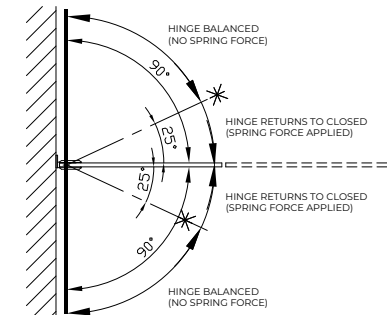
ALL HINGE COMPONENTS IN CHROME PLATED BRASS.

PRODUCT SUITABLE FOR 8 TO 10mm TOUGHENED GLASS PANES.

FITTING SUPPLIED COMPLETE WITH:-

- 1) 2 No. x 1.9mm TRANSLUCENT PVC GASKETS.
- 2) 2 No. x 1.0mm TRANSLUCENT PVC GASKETS.
- 3) 2 No. M6 x 14mm ST/ST HEX SOCKET HEAD CSK SETSCREWS
- 4) 3 No. 10 x 50mm SCREWS AND PLASTIC PLUGS

(NOTE CUSTOMER TO PROVIDE ALTERNATIVE FIXINGS WHERE REQUIRED) - SEE PAGE 2 FOR VIEW OF HINGE BACKPLATE



PRODUCT REF: SH/NKE/H01

DESCRIPTION: DIMENSIONED ELEVATIONS AND REQUIRED GLASS PREP DETAIL

DRAWING REF: SH/NKE/H01 - 001C



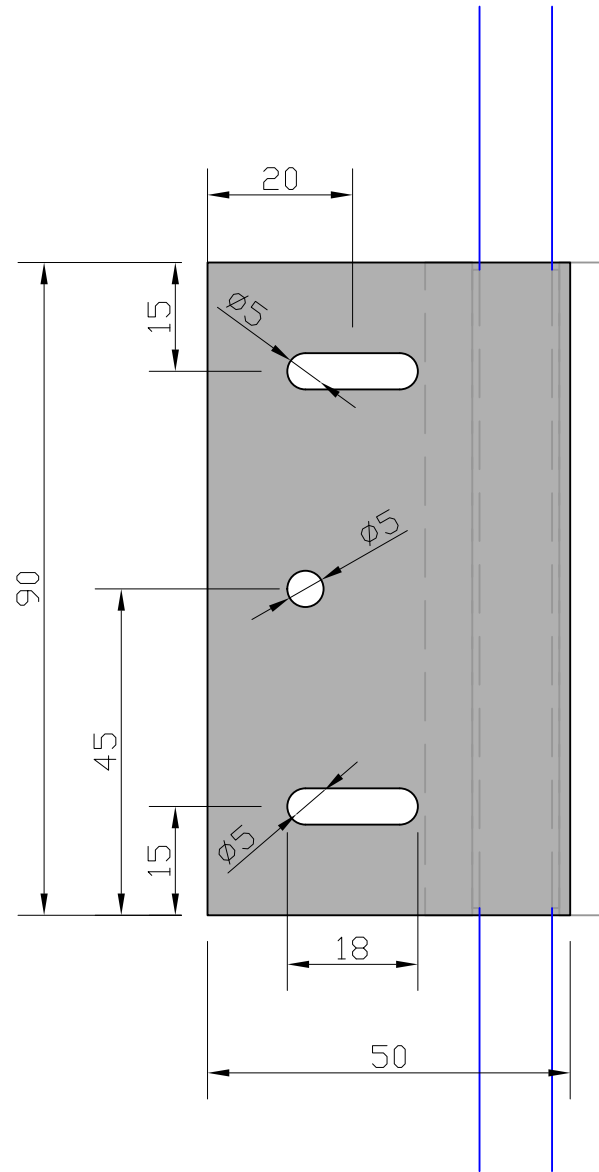
Express Toughening, 51-55 Fowler Road, Hainault,
Essex, IG6 3UT

Tel: +44 (0)20 8500 1188
info@expresstoughening.com
www.expresstoughening.com

Copyright (C) - October 2020, All Rights Reserved

REAR VIEW ON BACKPLATE

HORIZONTAL SLOTS PROVIDE ADDITIONAL
TOLERANCE WHEN FITTING



NOTES/SPECIFICATION:

PRODUCT REF:	SH/NKE/H01
DESCRIPTION:	DIMENSIONED ELEVATIONS AND REQUIRED GLASS PREP DETAIL * AB - 09/02/18
DRAWING REF:	SH/NKE/H01 - 001C