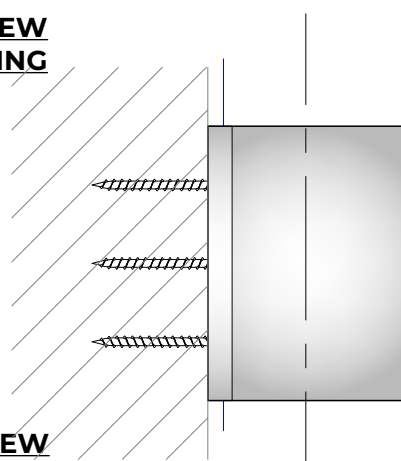
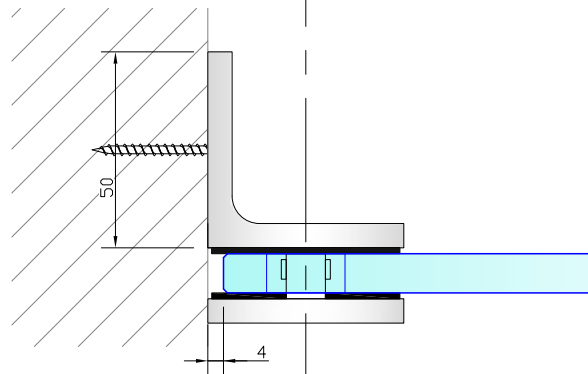


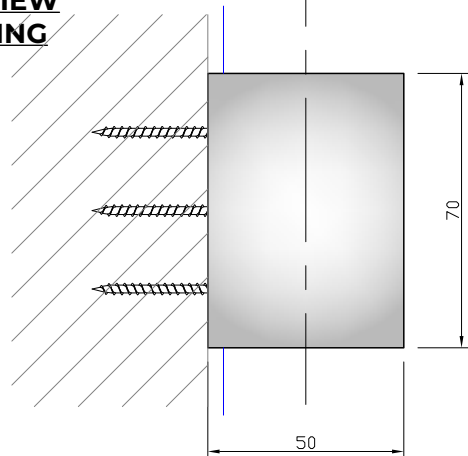
**REAR VIEW
ON FITTING**



**PLAN VIEW
ON FITTING**



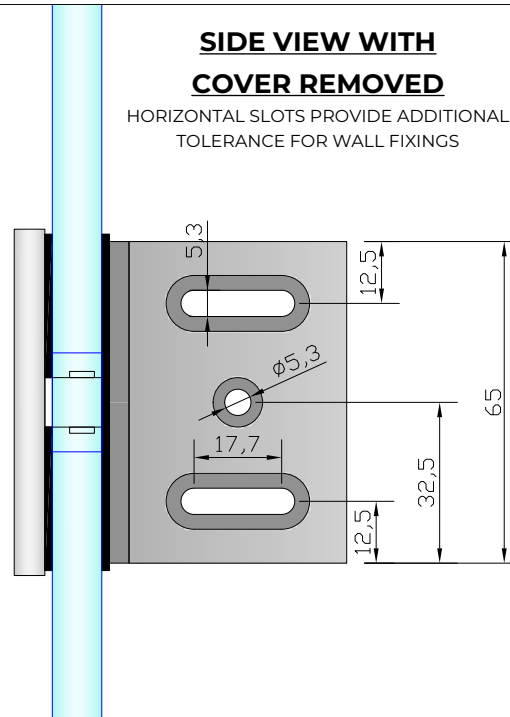
**FRONT VIEW
ON FITTING**



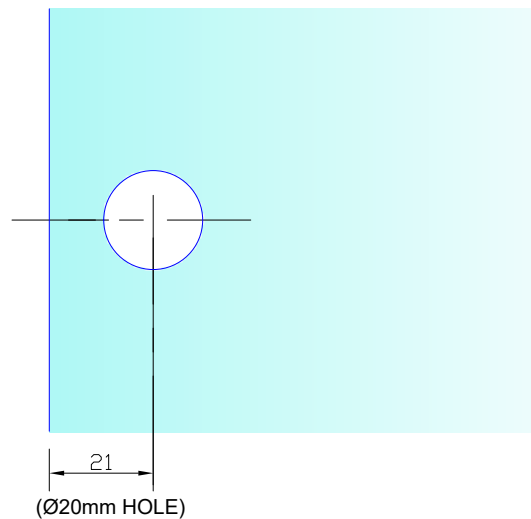
(4mm GLASS REDUCTION REQ.)

**SIDE VIEW WITH
COVER REMOVED**

HORIZONTAL SLOTS PROVIDE ADDITIONAL
TOLERANCE FOR WALL FIXINGS



**REQUIRED
GLASS PREP**



Express Glass Warehouse
51-55 Fowler Road,
Hainault, Essex
IG6 3UT

Tel: +44 (0)20 8500 1188
Fax: +44 (0)20 8500 1010
Email: info@egw.co.uk
Website: www.egw.co.uk

Copyright (C) - October 2020, All Rights Reserved

NOTES/SPECIFICATION:

ALL VISIBLE COMPONENTS IN SATIN NICKEL PLATED BRASS.

PRODUCT SUITABLE FOR 8-10mm TOUGHENED GLASS, USED
IN WALL, BASE AND TOP POSITIONS WHERE REQUIRED

FITTING SUPPLIED COMPLETE WITH:-

- 1) 2 No. x 1.25mm BLACK RUBBER GLAZING GASKETS.
- 2) 1 No. M6 x 12mm ST/ST HEX HEAD CSK SETSCREWS.
- 3) 3 No. 12 x 50mm CSK SCREW AND PLASTIC PLUG

(NOTE CUSTOMER TO PROVIDE ALTERNATIVE FIXINGS WHERE
REQUIRED)

PRODUCT REF: SH/NKE/B01/S

DESCRIPTION: DIMENSIONED ELEVATIONS AND
REQUIRED GLASS PREP DETAIL

DRAWING REF: SH/NKE/B01/S - 001A