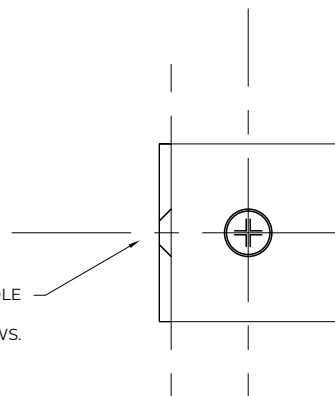
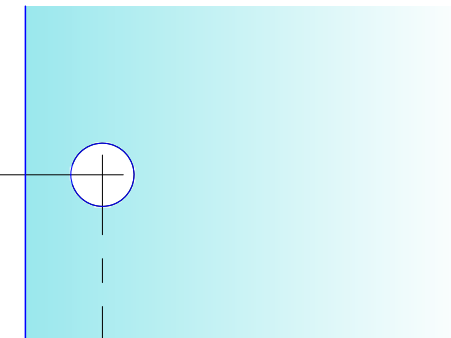


**REAR VIEW
ON FITTING**

1 No. Ø5.5 HOLE
CSK TO SUIT
No. 10 SCREWS.



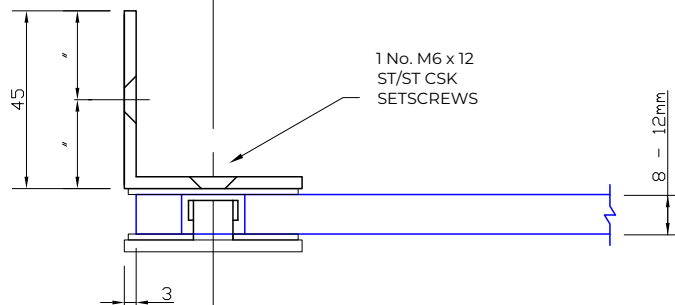
**REQUIRED
GLASS PREP**



19,5
(Ø16mm HOLE)

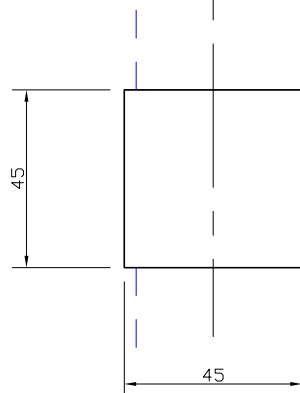
HOLE PREP CAN BE SLOTTED (5mm) TO GLASS
EDGE TO SUIT FABRICATORS LIMITATIONS

**PLAN VIEW
ON FITTING**



1 No. M6 x 12
ST/ST CSK
SETSCREWS

**FRONT VIEW
ON FITTING**



(3mm GLASS REDUCTION REQ.)



Express Toughening, 51-55 Fowler Road, Hainault,
Essex, IG6 3UT

Tel: +44 (0)20 8500 1188
info@expresstoughening.com
www.expresstoughening.com

Copyright (C) - October 2020, All Rights Reserved

NOTES/SPECIFICATION:

ALL FITTING COMPONENTS IN SATIN STAINLESS STEEL.

PRODUCT SUITABLE FOR 8 TO 10mm TOUGHENED GLASS PANES.

FITTING SUPPLIED COMPLETE WITH:-

- 1) 2 No. x 1.25mm TRANSLUCENT RUBBER GLAZING WASHERS.
- 2) 1 No. M6 x 12mm ST/ST POSI-DRIVE HEAD CSK SETSCREWS.
- 3) 1 No. 10 x 40mm POSI DRIVE SCREW AND PLASTIC PLUG

(NOTE CUSTOMER TO PROVIDE ALTERNATIVE FIXINGS WHERE
REQUIRED)

PRODUCT REF:	SH/PAS/B01
DESCRIPTION:	DIMENSIONED ELEVATIONS AND REQUIRED GLASS PREP DETAIL
DRAWING REF:	SH/PAS/B01 - 001B