

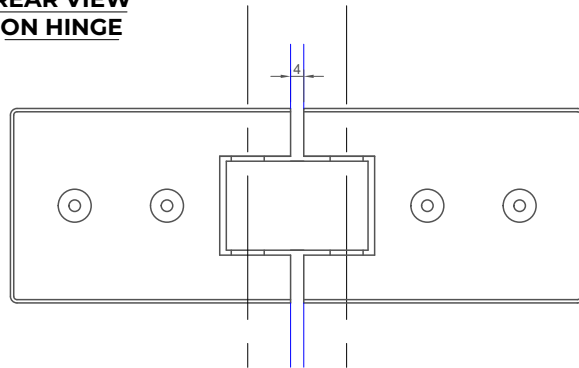


Express Toughening, 51-55 Fowler Road, Hainault, Essex, IG6 3UT

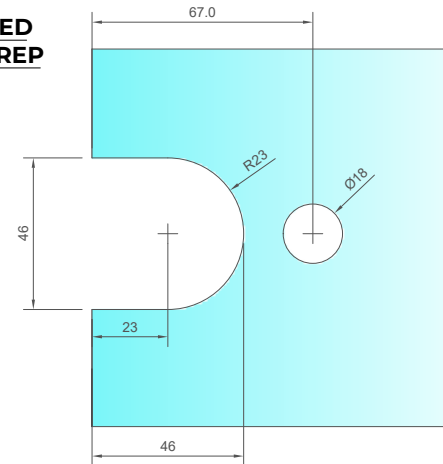
Tel: +44 (0)20 8500 1188
 info@expresstoughening.com
 www.expresstoughening.com

Copyright (C) - October 2020, All Rights Reserved

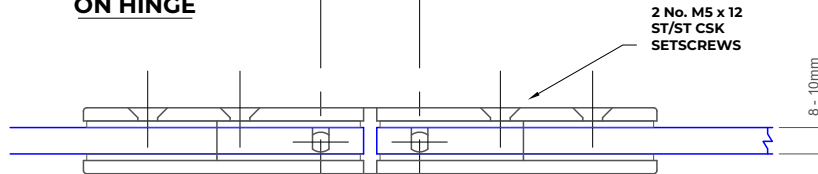
**REAR VIEW
ON HINGE**



**REQUIRED
GLASS PREP**

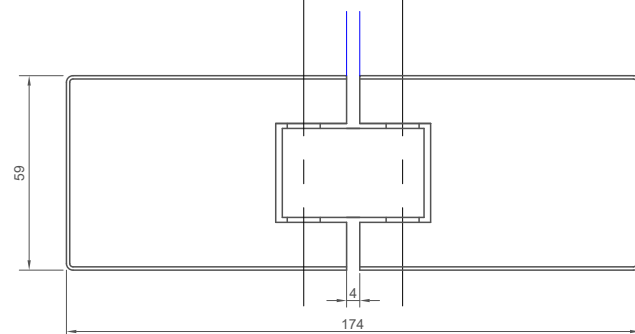


**PLAN VIEW
ON HINGE**



2 No. M5 x 12
ST/ST CSK
SETSCREWS

**FRONT VIEW
ON HINGE**



NOTES/SPECIFICATION:

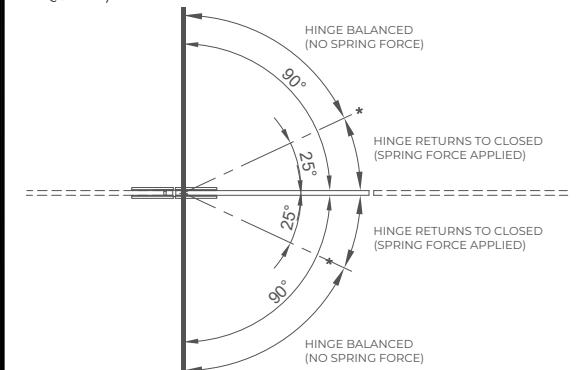
ALL HINGE COMPONENTS IN CHROME PLATED BRASS.

PRODUCT SUITABLE FOR 8 TO 10mm TOUGHENED GLASS PANES.

FITTING SUPPLIED COMPLETE WITH:-

- 1) 8 No. x TRANSLUCENT RUBBER GLAZING WASHERS.
- 2) 4 No. M5 x 12mm ST/ST HEX SOCKET HEAD CSK SETSCREWS
- 3) 1 No. HEX SOCKET ALLEN KEY TO SUIT
- 4) VARIABLE ANGLE FROM INLINE TO 90° FIXED WITH 2 POINTED GRUB SCREWS IN HINGE PANEL SIDE PIVOT BLOCK. (SEE PAGE 2)

(NOTE CUSTOMER TO PROVIDE ALTERNATIVE FIXINGS WHERE REQUIRED)



PRODUCT REF:	SH/APH/H07
DESCRIPTION:	DIMENSIONED ELEVATIONS AND REQUIRED GLASS PREP DETAIL
DRAWING REF:	SH/APH/H07 - 001E

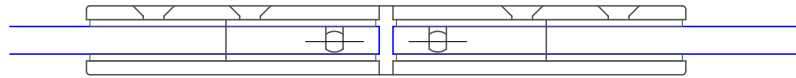


Express Toughening, 51-55 Fowler Road, Hainault,
Essex, IG6 3UT

Tel: +44 (0)20 8500 1188
info@expresstoughening.com
www.expresstoughening.com

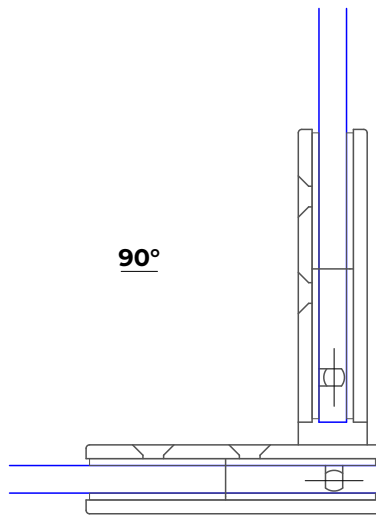
Copyright (C) - October 2020, All Rights Reserved

INLINE

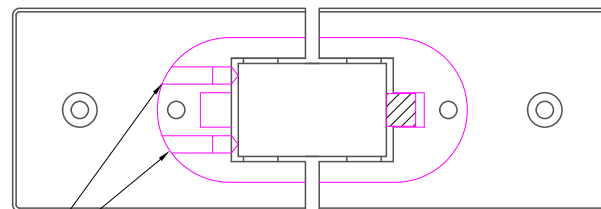
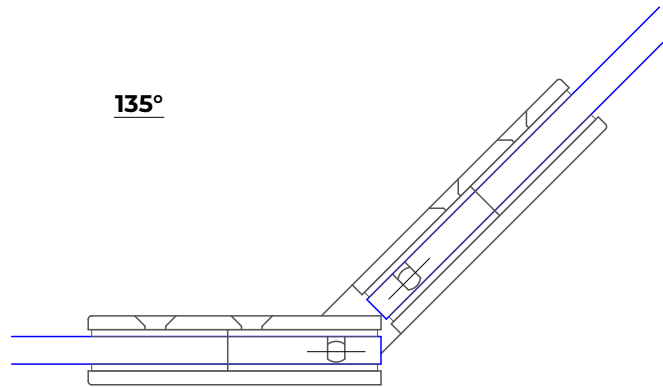


**MOST COMMON ANGLES
CAN BE FIXED AT ANY ANGLE
BETWEEN THOSE SHOWN**

90°



135°



ANGLE ADJUSTING SCREWS

NOTES/SPECIFICATION:

THERE ARE 2 SCREWS INSIDE THE BODY OF THE HINGE ON THE FIXED SIDE PIVOT BLOCK, THESE SCREWS DRIVE INTO THE BLOCK ITSELF TO SECURE THE ANGLE.

TO ADJUST THE ANGLE REMOVE THE CLAMPING PLATE AND GASKETS TO FIND THE 2 HOLES SHOWN IN PINK.

INSERT THE ALLEN KEY TO LOOSEN THEM, MOVE TO REQUIRED ANGLE THEN TIGHTEN AS MUCH AS POSSIBLE TO LOCK IN PLACE.

UNDO THEM UNTIL THE POINT DISAPPEARS TO AVOID SCRATCHING THE PIVOT BLOCK WHILE ADJUSTING.

PRODUCT REF:	SH/APH/H07
DESCRIPTION:	DIMENSIONED ELEVATIONS AND REQUIRED GLASS PREP DETAIL * AB - 09/02/18
DRAWING REF:	SH/APH/H07 - 001E