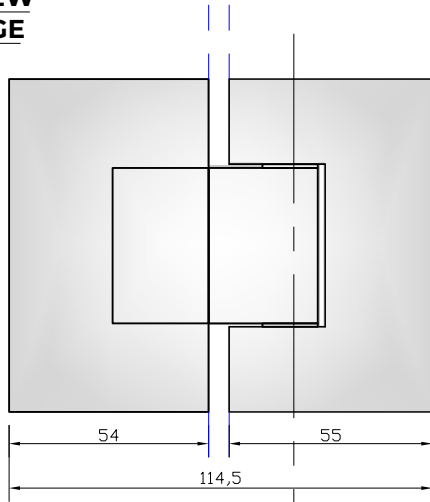
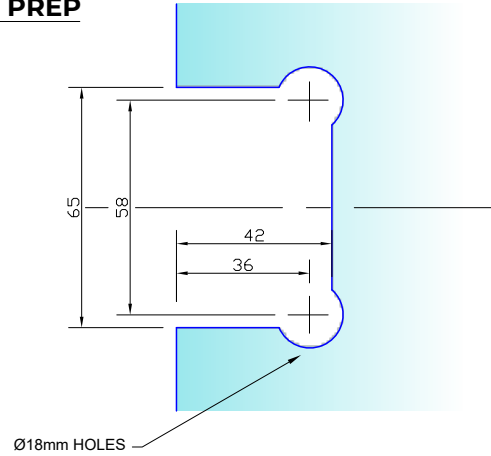


**REAR VIEW
ON HINGE**



**REQUIRED
GLASS PREP**

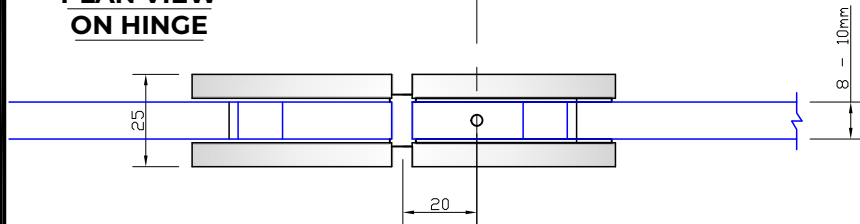


**Express Toughening, 51-55 Fowler Road, Hainault,
Essex, IG6 3UT**

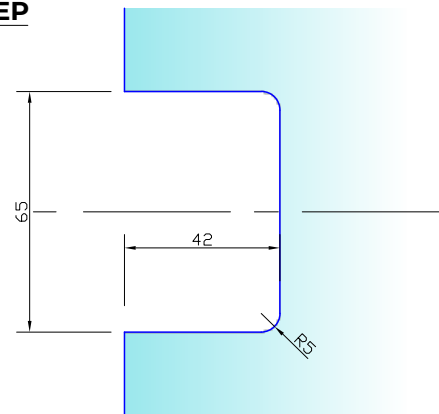
Tel: +44 (0)20 8500 1188
info@expresstoughening.com
www.expresstoughening.com

Copyright (C) - October 2020, All Rights Reserved

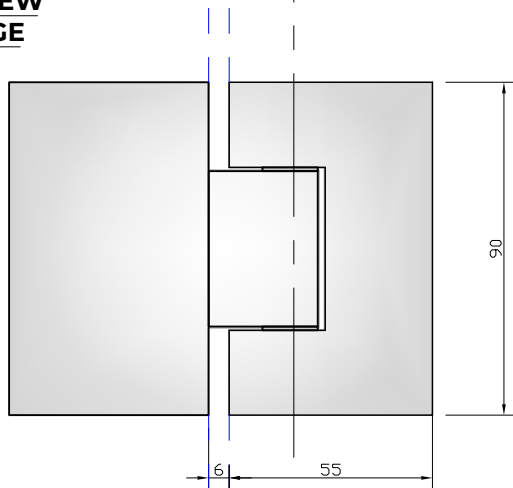
**PLAN VIEW
ON HINGE**



**ALTERNATIVE
GLASS PREP**



**FRONT VIEW
ON HINGE**



(6mm GLASS REDUCTION REQ.)

NOTES/SPECIFICATION:

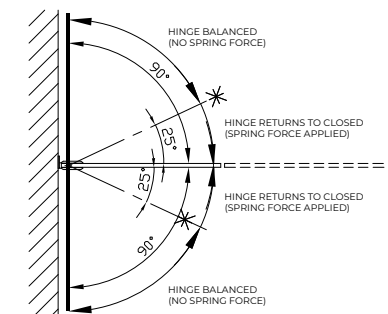
ALL VISIBLE COMPONENTS IN CHROME PLATED BRASS.

PRODUCT SUITABLE FOR 8 TO 10mm TOUGHENED GLASS PANES.

HINGE SUPPLIED COMPLETE WITH:-

- 1) 4 No. x 1.9mm TRANSLUCENT RUBBER GLAZING WASHERS.
- 2) 4 No. x 1.0mm TRANSLUCENT RUBBER GLAZING WASHERS
- 3) 4 No. M6 x 14mm ST/ST HEX SOCKET HEAD CSK SETSCREWS

(NOTE CUSTOMER TO PROVIDE ALTERNATIVE FIXINGS WHERE REQUIRED)



PRODUCT REF:	SH/NKE/H02
DESCRIPTION:	DIMENSIONED ELEVATIONS AND GLASS PREP DETAILS
DRAWING REF:	SH/NKE/H02 - 001