

**REQUIRED
GLASS PREP**

(SCALE 1:1 (A4))



Express Toughening, 51-55 Fowler Road, Hainault,
Essex, IG6 3UT

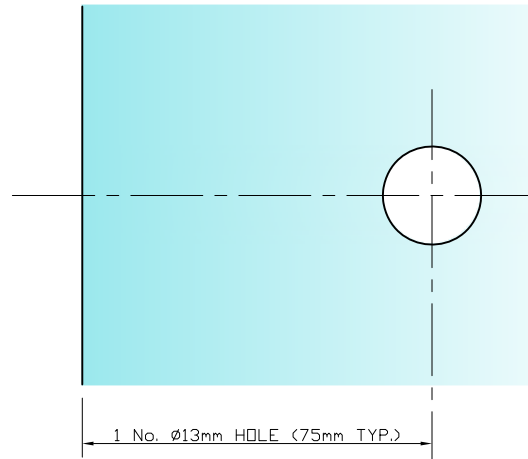
Tel: +44 (0)20 8500 1188
info@expresstoughening.com
www.expresstoughening.com

Copyright (C) - October 2020, All Rights Reserved

NOTES/SPECIFICATION:

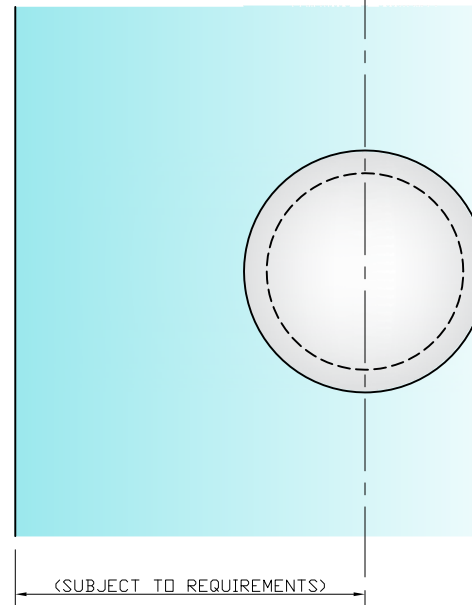
- ALL DOOR KNOB COMPONENTS IN CHROME PLATED BRASS.
- PRODUCT SUITABLE FOR 6 TO 12mm TOUGHENED GLASS PANES.
- DOOR KNOB SUPPLIED COMPLETE WITH:-
 - 1) 2 No. x 1.35mm TRANSLUCENT RUBBER GLAZING WASHERS
 - 2) 1 No. DIA. 12mm WHITE PLASTIC INSERT TUBE

PRODUCT REF:	SH/APH/K03
DESCRIPTION:	DIMENSIONED ELEVATIONS AND GLASS PREP DETAILS
DRAWING REF:	SH/APH/K03 - 001



**FRONT VIEW
ON DOOR KNOB**

(SCALE 1:1 (A4))



**SIDE VIEW
ON DOOR KNOB**

(SCALE 1:1 (A4))

