

**REQUIRED  
GLASS PREP**



Express Toughening, 51-55 Fowler Road, Hainault,  
Essex, IG6 3UT

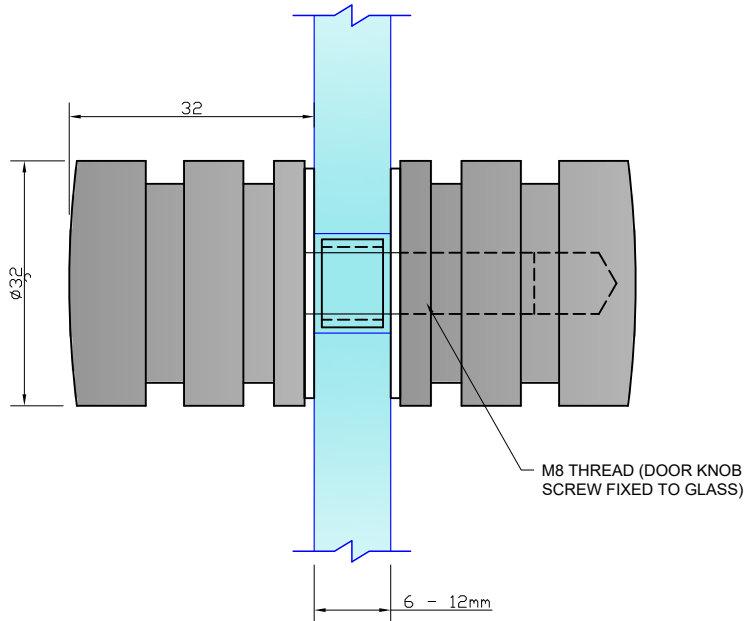
Tel: +44 (0)20 8500 1188  
info@expresstoughening.com  
www.expresstoughening.com

Copyright (C) - October 2020, All Rights Reserved

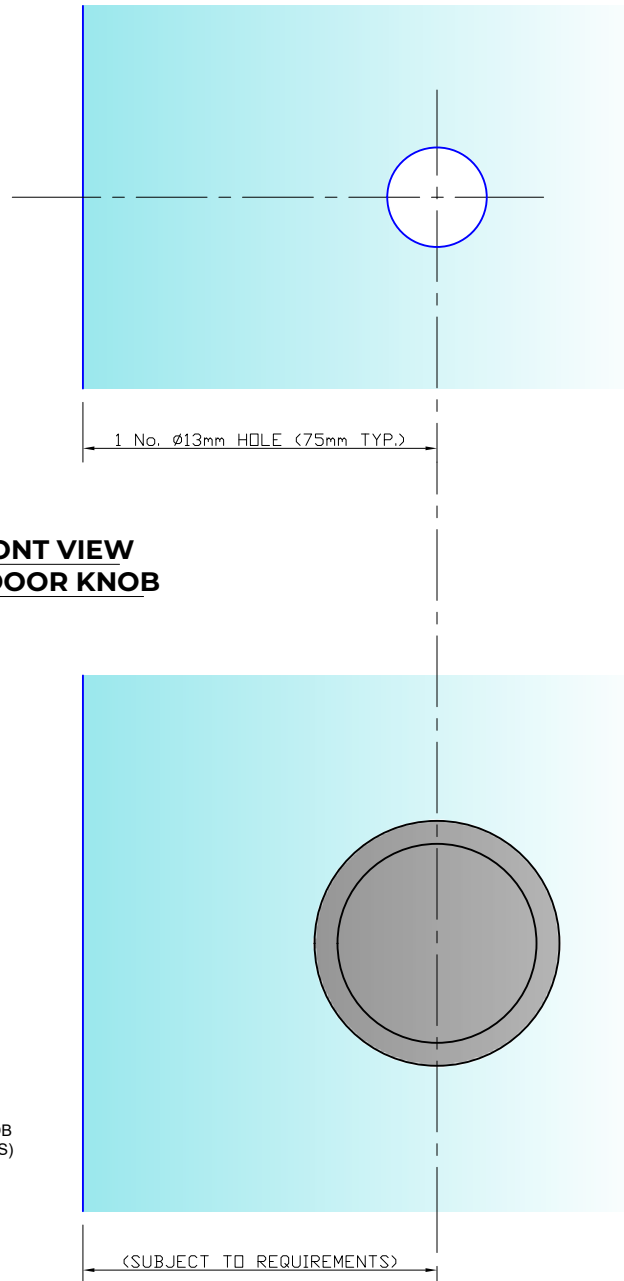
**NOTES/SPECIFICATION:**

- ALL DOOR KNOB COMPONENTS IN CHROME PLATED BRASS.
- PRODUCT SUITABLE FOR 6 TO 12mm TOUGHENED GLASS PANES.
- DOOR KNOB SUPPLIED COMPLETE WITH:-
- 1) 2 No. x 1.35mm TRANSLUCENT RUBBER GLAZING WASHERS
- 2) 1 No. DIA. 12mm WHITE PLASTIC INSERT TUBE

**SIDE VIEW  
ON DOOR KNOB**



**FRONT VIEW  
ON DOOR KNOB**



<b>PRODUCT REF:</b>	<b>SH/APH/K03/S</b>
<b>DESCRIPTION:</b>	DIMENSIONED ELEVATIONS AND GLASS PREP DETAILS
<b>DRAWING REF:</b>	<b>SH/APH/K03/S - 001</b>