

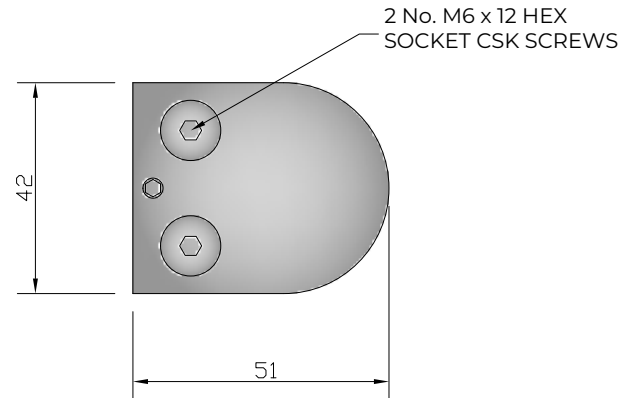


Express Toughening, 51-55 Fowler Road, Hainault, Essex, IG6 3UT

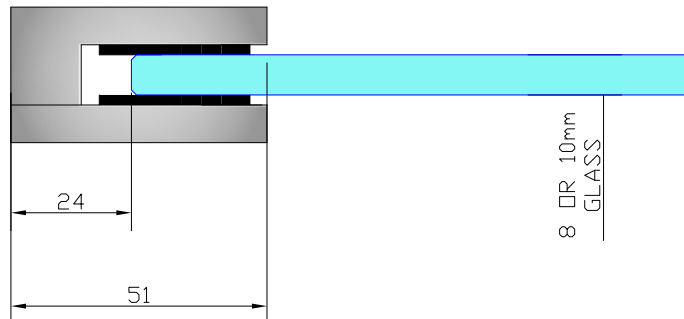
Tel: +44 (0)20 8500 1188
 info@expresstoughening.com
 www.expresstoughening.com

Copyright (C) - October 2020, All Rights Reserved

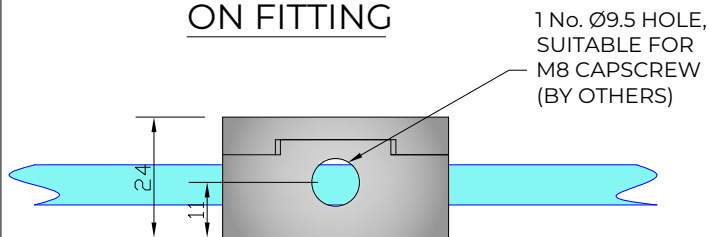
BACK VIEW
ON FITTING



PLAN VIEW
ON FITTING



REAR VIEW
ON FITTING



NOTES/SPECIFICATION:

ALL FITTING COMPONENTS IN BRUSHED FINISH GRADE 316 STAINLESS STEEL

PRODUCT SUITABLE FOR 8 TO 10mm TOUGHENED GLASS PANES.

FITTING SUPPLIED COMPLETE WITH:-

- 1) 4 No. BLACK RUBBER WASHERS TO SUIT SPECIFIED GLASS THICKNESS
- 2) 2 No. M6 X 12mm HEX SOCKET HEAD CSK SETSCREWS

NOTE - INTERFACE M8 CAPSCREW FIXINGS TO BE SUPPLIED BY OTHERS TO SUIT APPLICATION.

PRODUCT REF: SH/ATB/B/D/F

DESCRIPTION: DIMENSIONED ELEVATIONS AND REQUIRED GLASS PREP DETAIL
 *
 AB - 09/02/18

DRAWING REF: SH/ATB/B/D/F - 001E