

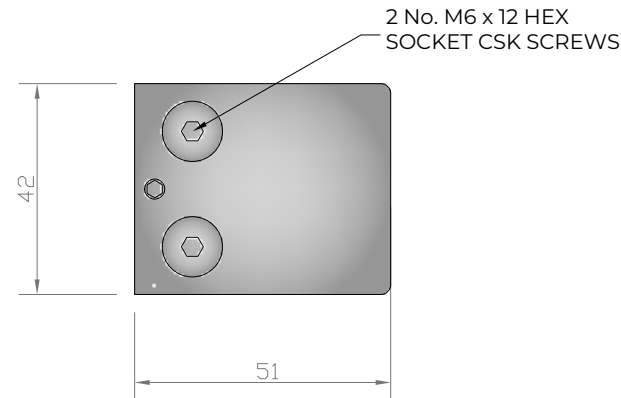


Express Toughening, 51-55 Fowler Road, Hainault,  
Essex, IG6 3UT

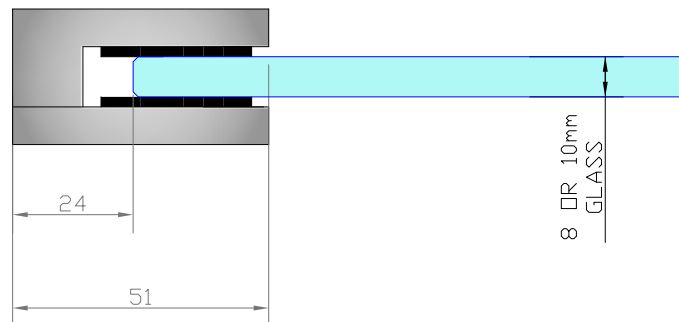
Tel: +44 (0)20 8500 1188  
info@expresstoughening.com  
www.expresstoughening.com

Copyright (C) - October 2020, All Rights Reserved

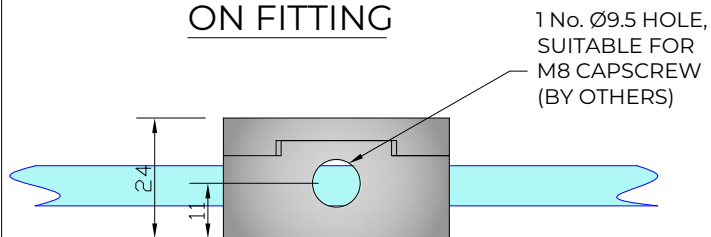
BACK VIEW  
ON FITTING



PLAN VIEW  
ON FITTING



REAR VIEW  
ON FITTING



**NOTES/SPECIFICATION:**

ALL FITTING COMPONENTS IN BRUSHED FINISH GRADE 316  
STAINLESS STEEL

PRODUCT SUITABLE FOR 8 TO 10mm TOUGHENED GLASS PANES.

FITTING SUPPLIED COMPLETE WITH:-

- 1) 4 No. BLACK RUBBER WASHERS TO SUIT SPECIFIED GLASS THICKNESS
- 2) 2 No. M6 X 12mm HEX SOCKET HEAD CSK SETSCREWS

NOTE - INTERFACE M8 CAPSCREW FIXINGS TO BE SUPPLIED BY OTHERS TO SUIT APPLICATION.

**PRODUCT REF:** SH/ATB/B/S/F

**DESCRIPTION:** DIMENSIONED ELEVATIONS AND  
REQUIRED GLASS PREP DETAIL  
\*  
AB - 09/02/18

**DRAWING REF:** SH/ATB/B/S/F - 001E