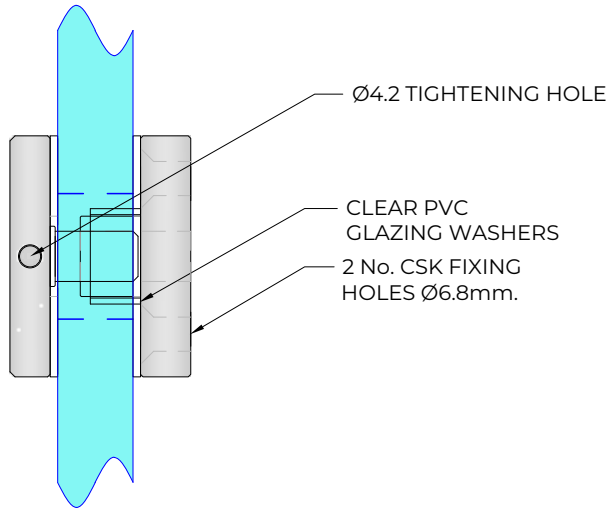
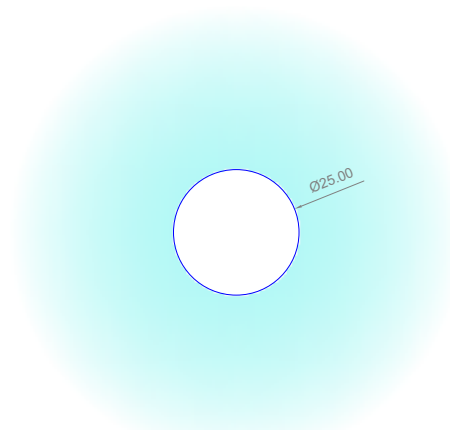


PLAN VIEW
ON FITTING

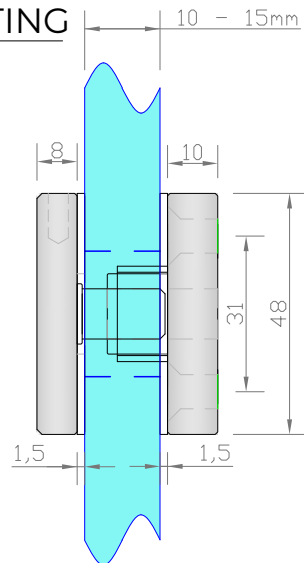


REQUIRED
GLASS PREP

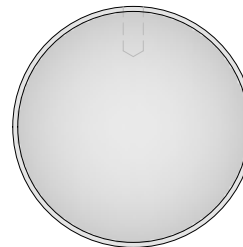


(Ø25mm HOLE - POSITIONING TO
SUIT APPLICATION / DESIGN
REQUIREMENTS)

SIDE VIEW
ON FITTING



FRONT VIEW
ON FITTING



NOTE - RADIAL FINISHING LOCATION OF
TIGHTENING HOLE WILL VARY BETWEEN
FITTINGS.



**Express Toughening, 51-55 Fowler Road, Hainault,
Essex, IG6 3UT**

Tel: +44 (0)20 8500 1188
info@expresstoughening.com
www.expresstoughening.com

Copyright (C) - October 2020, All Rights Reserved

NOTES/SPECIFICATION:

ALL FITTING COMPONENTS IN GRADE 316 MACHINED STAINLESS STEEL FINISH.

PRODUCT SUITABLE FOR 10mm TO 15mm TOUGHENED GLASS PANES.

FITTING SUPPLIED COMPLETE WITH:-

- 1) 4 No. x 1.5mm CLEAR PVC GLAZING WASHERS.
- 2) 1 No. GLASS FIXING TUBULAR WASHER.

NOTE - PRODUCT PRE-DRILLED WITH 2 No. Ø6.8 COUNTERSUNK HOLES. CLIENT TO PROVIDE FIXINGS TO SUIT INTERFACE DETAILING AND STRUCTURAL REQUIREMENTS (HOLE DIA. SUITS No. 12 CSK WOODSCREWS AND M6 CSK MACHINE SCREWS).

THREADED ALL THE WAY THROUGH SO STUD CAN BE ATTACHED AND BOLTED TO FRAMEWORK.

LOCK TITE (SUPPLIED BY OTHERS) CAN BE USED ON THREADED CONNECTION TO PREVENT REMOVAL.

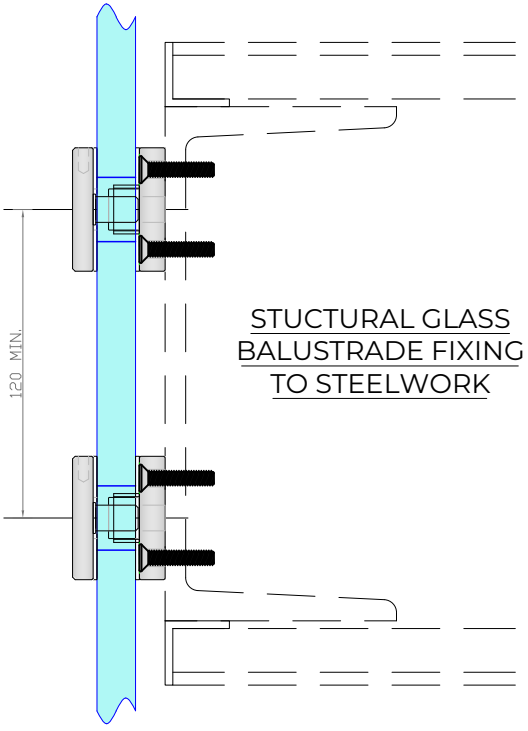
PRODUCT REF:	SH/ATB/GF03
DESCRIPTION:	DIMENSIONED ELEVATIONS AND REQUIRED GLASS PREP DETAIL * AB - 22/01/19
DRAWING REF:	SH/ATB/GF03 - 001E



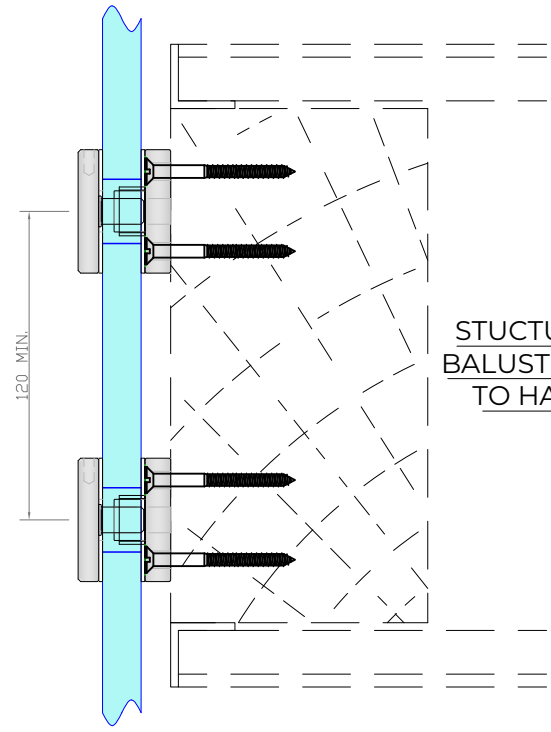
Express Toughening, 51-55 Fowler Road, Hainault, Essex, IG6 3UT

Tel: +44 (0)20 8500 1188
 info@expresstoughening.com
 www.expresstoughening.com

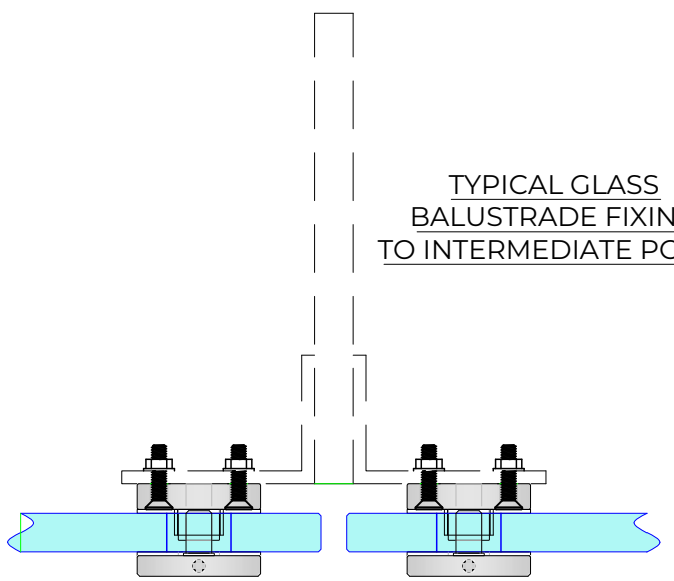
Copyright (C) - October 2020, All Rights Reserved



STUCTURAL GLASS
BALUSTRADE FIXING
TO STEELWORK



STUCTURAL GLASS
BALUSTRADE FIXING
TO HARDWOOD



TYPICAL GLASS
BALUSTRADE FIXING
TO INTERMEDIATE POSTS

NOTES/SPECIFICATION:

ALL FITTING COMPONENTS IN GRADE 316 MACHINED STAINLESS STEEL FINISH.

PRODUCT SUITABLE FOR 10mm TO 15mm TOUGHENED GLASS PANES.

FITTING SUPPLIED COMPLETE WITH:-

- 1) 4 No. x 1.5mm CLEAR PVC GLAZING WASHERS.
- 2) 1 No. GLASS FIXING TUBULAR WASHER.

NOTE - PRODUCT PRE-DRILLED WITH 2 No. Ø6.8 COUNTERSUNK HOLES. CLIENT TO PROVIDE FIXINGS TO SUIT INTERFACE DETAILING AND STRUCTURAL REQUIREMENTS (HOLE DIA. SUITS No. 12 CSK WOODSCREWS AND M6 CSK MACHINE SCREWS).

THREADED ALL THE WAY THROUGH SO STUD CAN BE ATTACHED AND BOLTED TO FRAMEWORK.

LOCK TITE (SUPPLIED BY OTHERS) CAN BE USED ON THREADED CONNECTION TO PREVENT REMOVAL.

PRODUCT REF: SH/ATB/GF03

DESCRIPTION: EXAMPLES OF TYPICAL FIXING DETAILS
 *
 AB - 22/01/19

DRAWING REF: SH/ATB/GF03 - 002E