

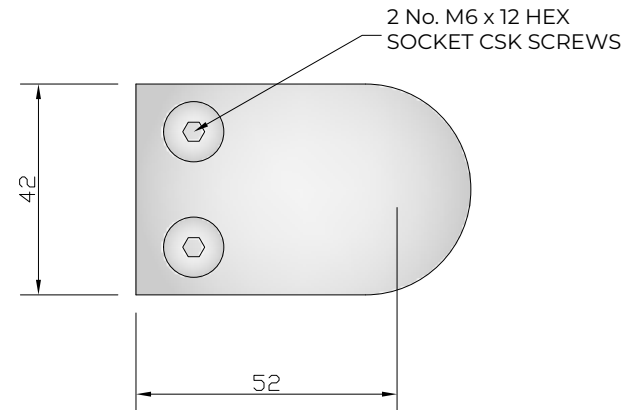


Express Toughening, 51-55 Fowler Road, Hainault,  
Essex, IG6 3UT

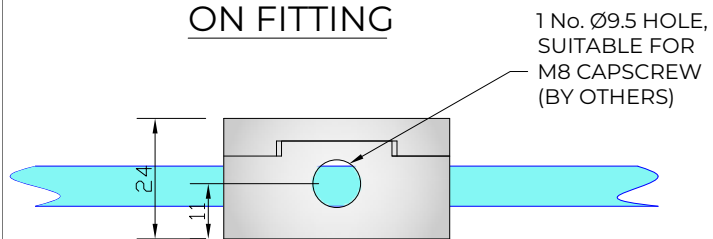
Tel: +44 (0)20 8500 1188  
info@expresstoughening.com  
www.expresstoughening.com

Copyright (C) - October 2020, All Rights Reserved

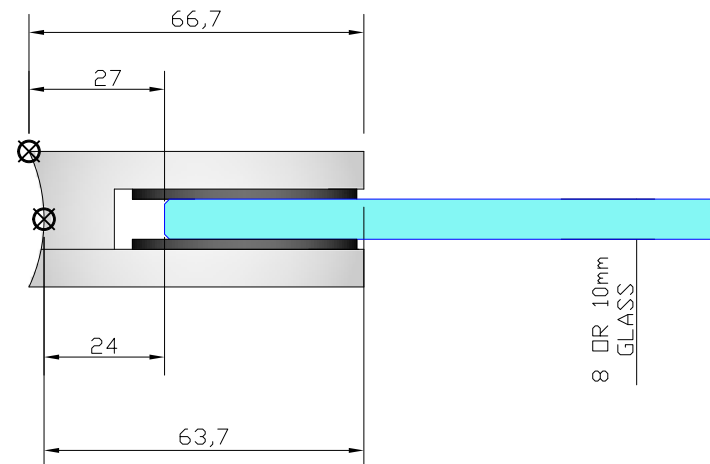
BACK VIEW  
ON FITTING



REAR VIEW  
ON FITTING



PLAN VIEW  
ON FITTING



**NOTES/SPECIFICATION:**

ALL FITTING COMPONENTS IN POLISHED FINISH GRADE 316  
STAINLESS STEEL

PRODUCT SUITABLE FOR 8 TO 10mm TOUGHENED GLASS PANES.

FITTING SUPPLIED COMPLETE WITH:-

- 1) 4 No. BLACK RUBBER WASHERS TO SUIT SPECIFIED GLASS THICKNESS
- 2) 2 No. M6 X 12mm HEX SOCKET HEAD CSK SETSCREWS

NOTE - INTERFACE M8 CAPSCREW FIXINGS TO BE SUPPLIED BY OTHERS TO SUIT APPLICATION.

<b>PRODUCT REF:</b>	<b>SH/ATB/P/D</b>
<b>DESCRIPTION:</b>	DIMENSIONED ELEVATIONS AND REQUIRED GLASS PREP DETAIL * AB - 09/02/18
<b>DRAWING REF:</b>	<b>SH/ATB/P/D - 001E</b>