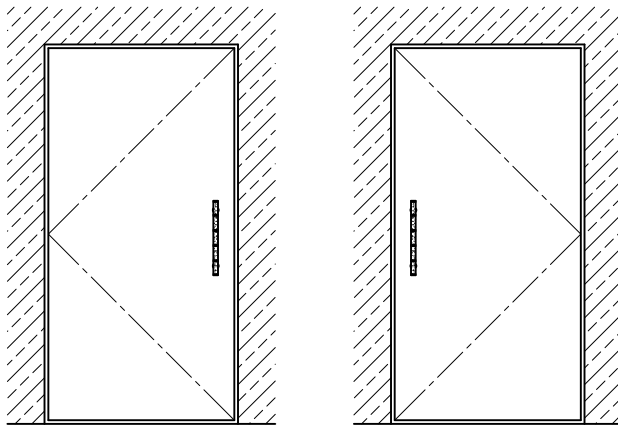




Express Toughening, 51-55 Fowler Road, Hainault,
Essex, IG6 3UT

Tel: +44 (0)20 8500 1188
info@expresstoughening.com
www.expresstoughening.com

Copyright (C) - October 2020, All Rights Reserved

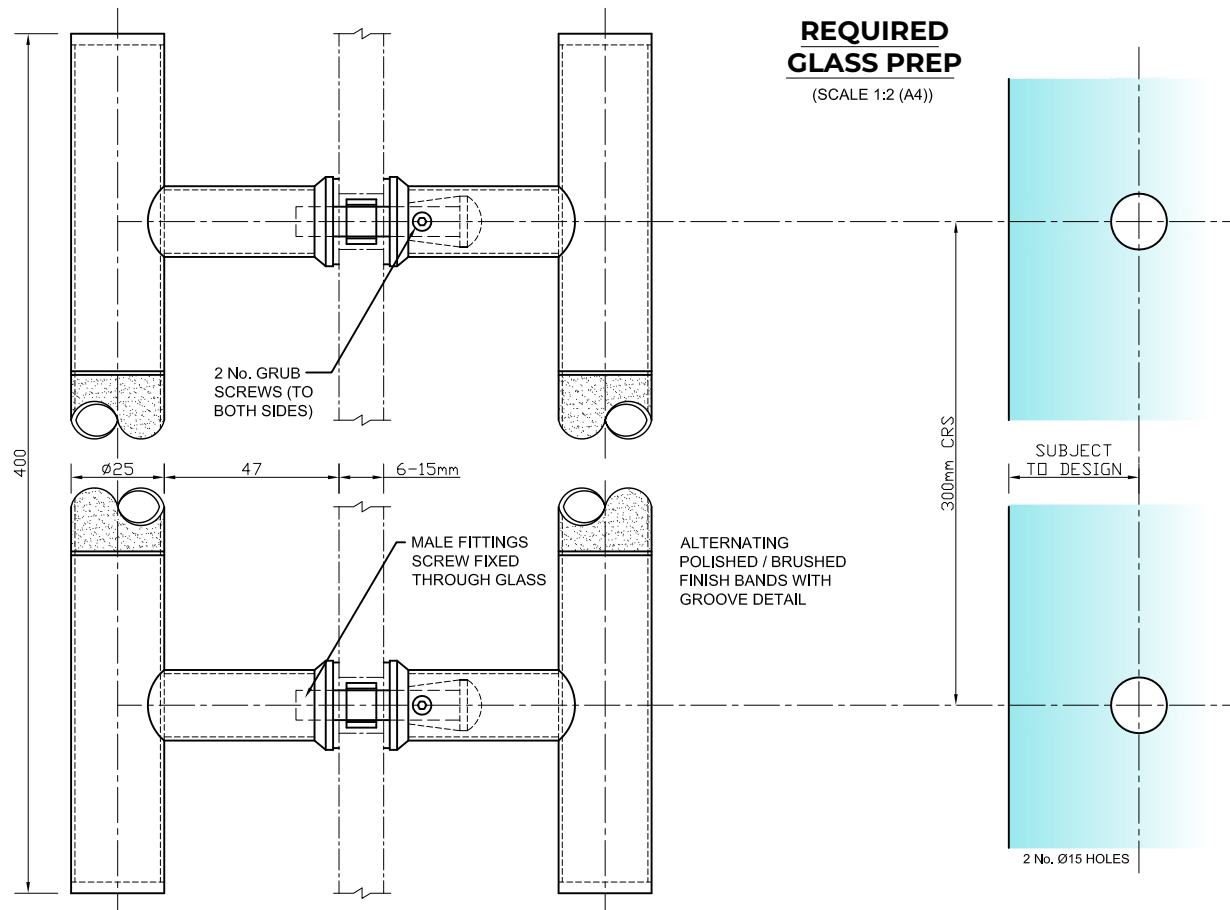


EXAMPLE VIEWS ON TYPICAL DOOR

NOTE - PULL HANDLE CAN BE UTILISED ON GLASS AND DOOR FRAMES THICKER THAN 15mm. M8 x 45mm POSI-PAN SCREW PROVIDED AS STANDARD FOR 15mm MAX.

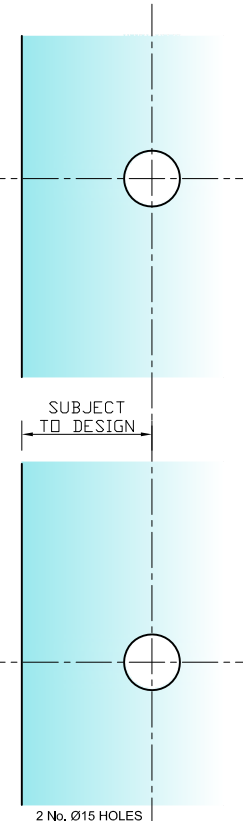
SIDE VIEW ON HANDLE

(SCALE 1:2 (A4))



REQUIRED GLASS PREP

(SCALE 1:2 (A4))



NOTES/SPECIFICATION:

PULL HANDLE COMPONENTS SUPPLIED IN POLISHED STAINLESS STEEL.

PULL HANDLE SUITABLE FOR 6 TO 15mm GLASS PANES (WITH STANDARD SCREWS PROVIDED). CAN ALSO BE UTILISED ON THICKER GLASS AND DOOR FRAMES, HOWEVER LONGER M8 POSI-PAN FIXINGS WILL BE REQUIRED (PROVIDED BY OTHERS).

PRODUCT REF:	SH/GGA/P15
DESCRIPTION:	DIMENSIONED ELEVATIONS AND PRODUCT DETAILS
DRAWING REF:	SH/GGA/P15 - 001B