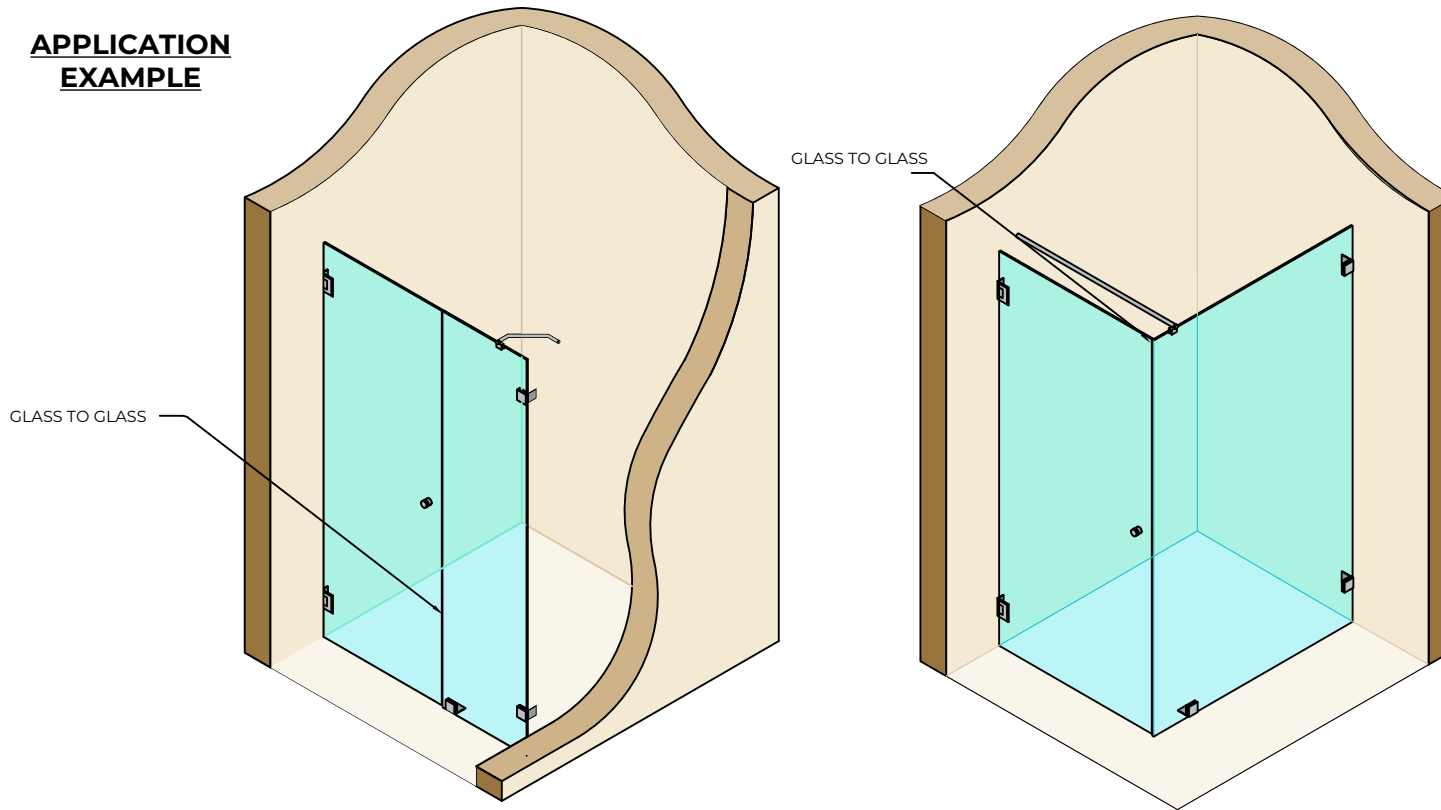


**APPLICATION
EXAMPLE**



**Express Toughening, 51-55 Fowler Road, Hainault,
Essex, IG6 3UT**

Tel: +44 (0)20 8500 1188
info@expresstoughening.com
www.expresstoughening.com

Copyright (C) - October 2020, All Rights Reserved

NOTES/SPECIFICATION:

GLAZING SEALS SUPPLIED AS TRANSLUCENT PVC PROFILES WITH WHITE MAGNETIC STRIPS.

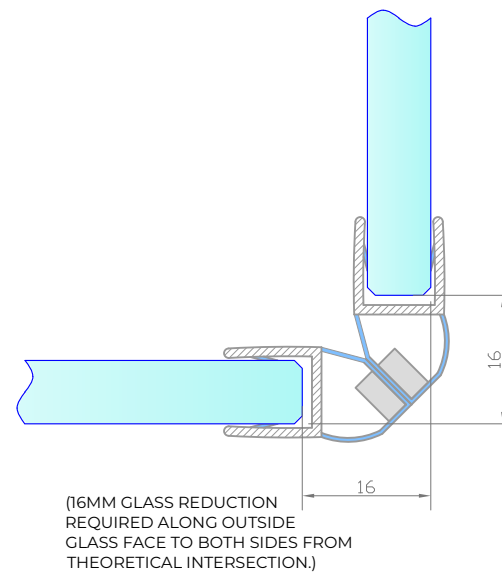
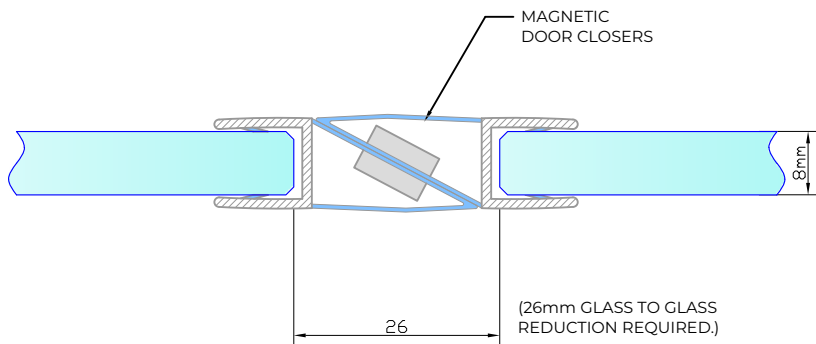
GLAZING SEAL SUITABLE FOR 8MM GLASS PANES

PLEASE NOTE THE REQUIRED GLASS REDUCTION FOR YOUR APPLICATION

**END VIEW
ON SEAL**

SEAL SUITABLE FOR GLASS TO GLASS
180 DEGREE OR 90 DEGREE INTERFACES
(DESIGN FOR DOOR LEADING EDGES)

SEALS PROVIDED IN PAIRS



(16MM GLASS REDUCTION
REQUIRED ALONG OUTSIDE
GLASS FACE TO BOTH SIDES FROM
THEORETICAL INTERSECTION.)

PRODUCT REF:	SH/GGA/S01
DESCRIPTION:	DIMENSIONED ELEVATIONS AND PRODUCT DETAILS
DRAWING REF:	SH/GGA/S01 - 001F