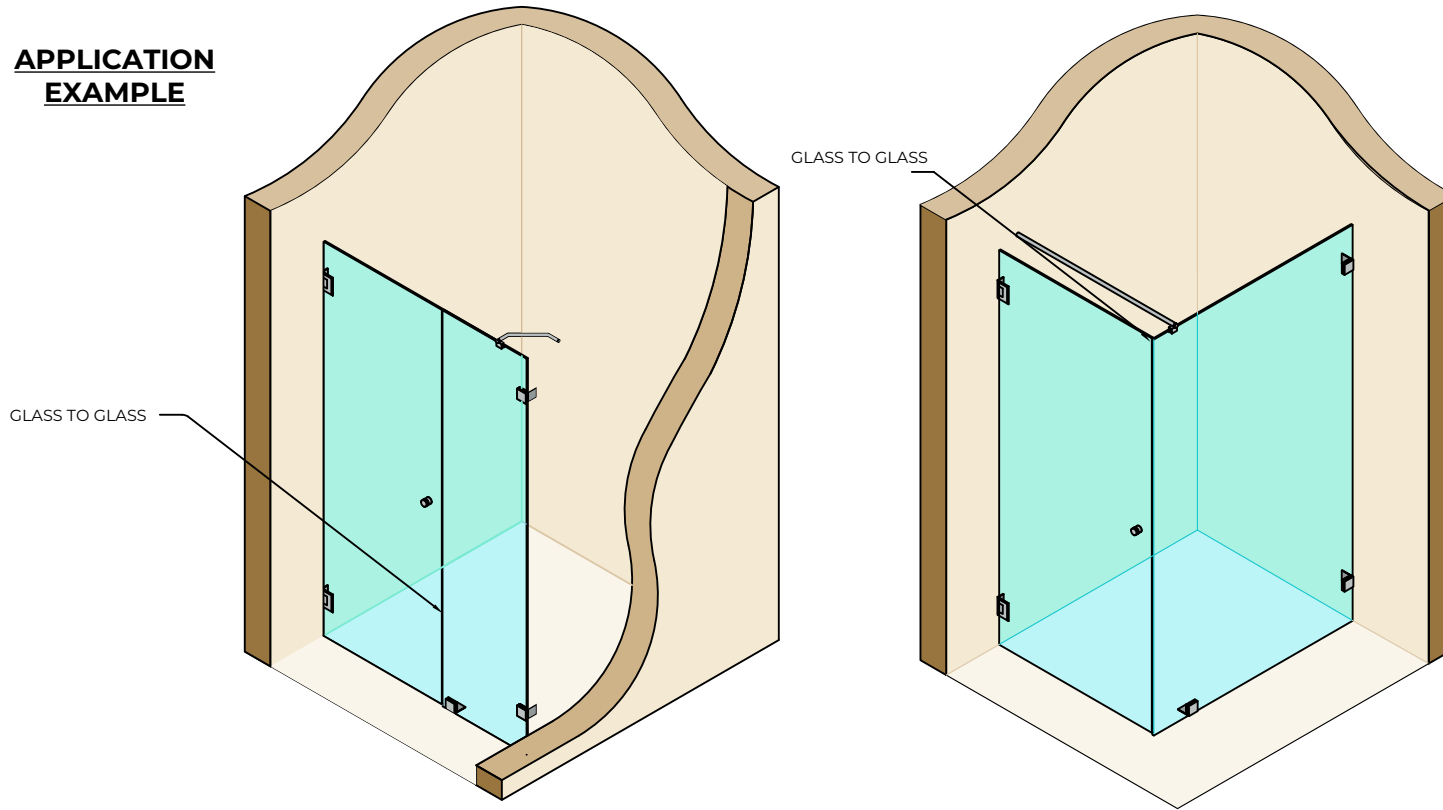


**APPLICATION
EXAMPLE**



**Express Toughening, 51-55 Fowler Road, Hainault,
Essex, IG6 3UT**

Tel: +44 (0)20 8500 1188
info@expresstoughening.com
www.expresstoughening.com

Copyright (C) - October 2020, All Rights Reserved

NOTES/SPECIFICATION:

GLAZING SEALS SUPPLIED AS TRANSLUCENT PVC PROFILES WITH WHITE MAGNETIC STRIPS.

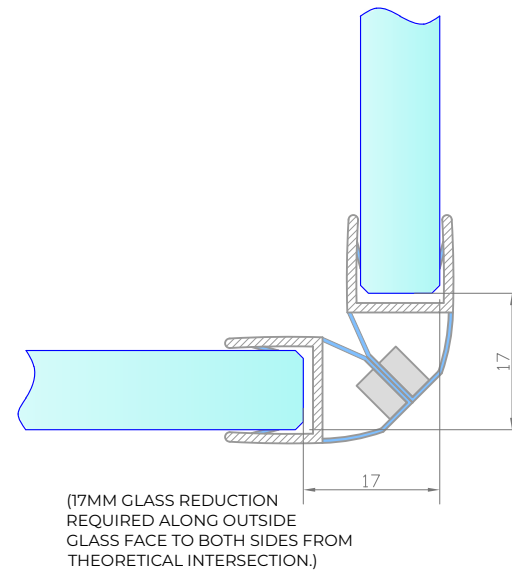
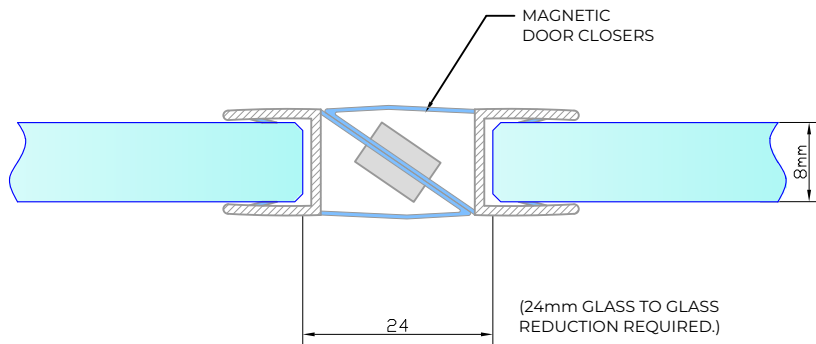
GLAZING SEAL SUITABLE FOR 10MM GLASS PANES

PLEASE NOTE THE REQUIRED GLASS REDUCTION FOR YOUR APPLICATION

**END VIEW
ON SEAL**

SEAL SUITABLE FOR GLASS TO GLASS
180 DEGREE OR 90 DEGREE INTERFACES
(DESIGN FOR DOOR LEADING EDGES)

SEALS PROVIDED IN PAIRS



PRODUCT REF:	SH/GGA/S01/10
DESCRIPTION:	DIMENSIONED ELEVATIONS AND PRODUCT DETAILS
DRAWING REF:	SH/GGA/S01/10 - 001C