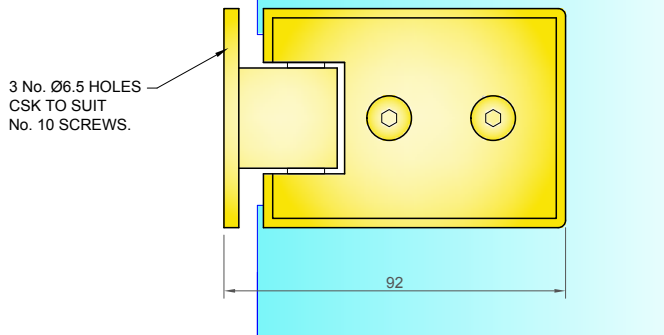
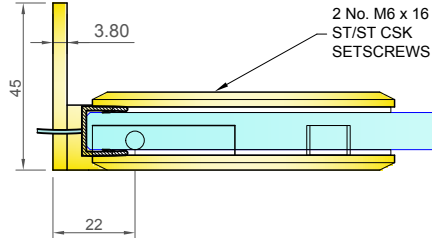


**REAR VIEW
ON HINGE**

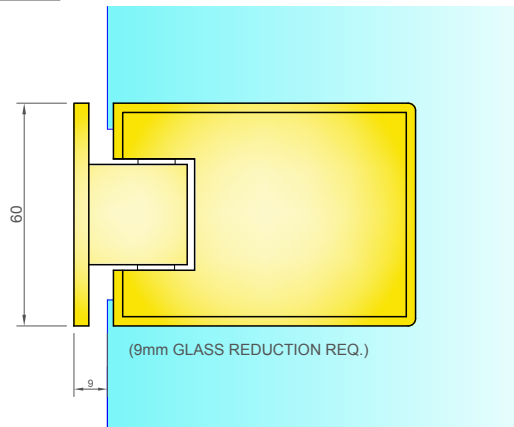


**PLAN VIEW
ON HINGE**

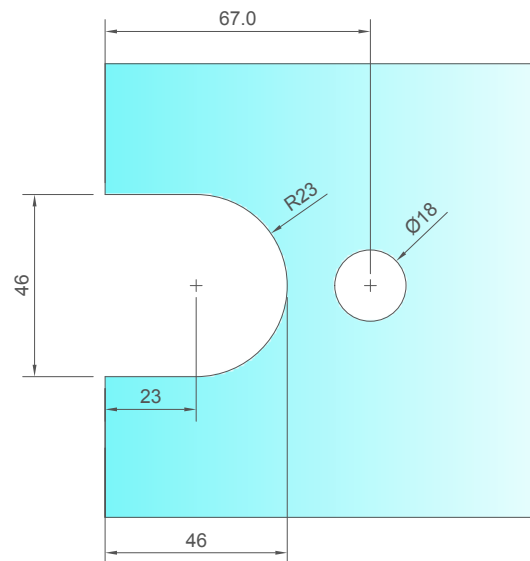
seal shown is SH/GGA/S06(/10), sold separately



**FRONT VIEW
ON HINGE**



**REQUIRED
GLASS PREP**



Spiral Hardware Ltd,
Unit 9 Wimbledon Ave,
Brandon, Suffolk
IP27 0NZ

TEL: +44 (0)1842 811818
FAX: +44 (0)1842 815515
WEB: www.spiralhardware.co.uk
E-MAIL: sales@spiralhardware.co.uk

Copyright (c) - April 2012, All Rights Reserved

NOTES/SPECIFICATION:

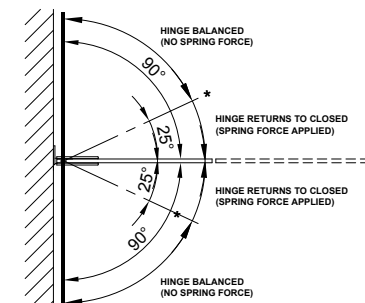
ALL HINGE COMPONENTS IN POLISHED BRASS.

PRODUCT SUITABLE FOR 8mm TOUGHENED GLASS.

HINGE SUPPLIED COMPLETE WITH:-

- 1) 2 No. x 1.4mm TRANSLUCENT RUBBER GLAZING WASHERS.
- 2) 2 No. M6 x 14mm ST/ST HEX SOCKET HEAD CSK SETSCREWS

(NOTE CUSTOMER TO PROVIDE WALL FIXINGS TO SUIT APPLICATION AND STRUCTURAL REQUIREMENT)



PRODUCT REF: SH/APH/H04/PB

DESCRIPTION: DIMENSIONED ELEVATIONS AND REQUIRED GLASS PREP DETAIL
* AB - 03/07/18

DRAWING REF: SH/APH/H04/PB - 001B