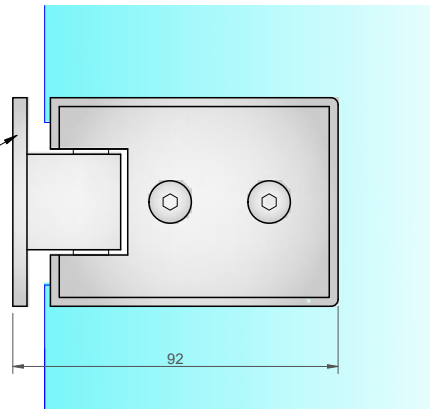


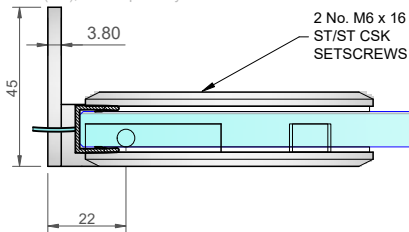
**REAR VIEW
ON HINGE**

3 No. Ø6.5 HOLES
CSK TO SUIT
No. 10 SCREWS.

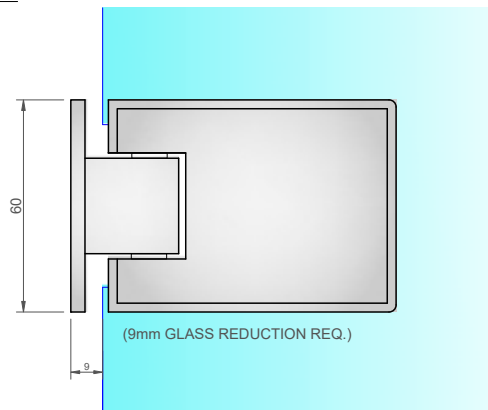


**PLAN VIEW
ON HINGE**

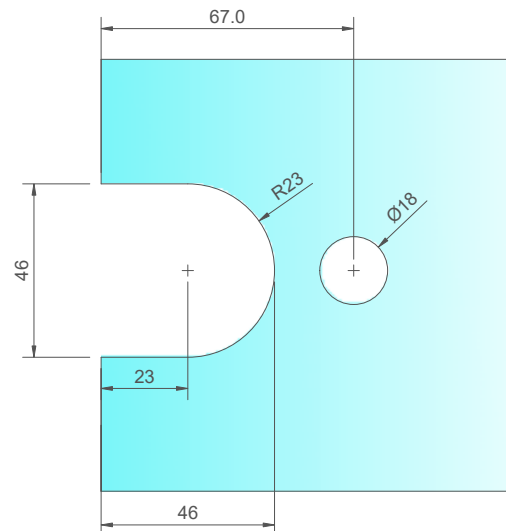
seal shown is SH/GGA/S06(/10), sold separately



**FRONT VIEW
ON HINGE**



**REQUIRED
GLASS PREP**



**Express Toughening, 51-55 Fowler Road, Hainault,
Essex, IG6 3UT**

Tel: +44 (0)20 8500 1188
info@expresstoughening.com
www.expresstoughening.com

Copyright (C) - October 2020, All Rights Reserved

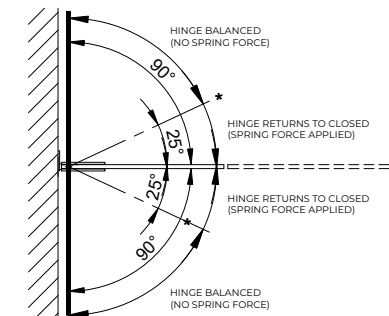
NOTES/SPECIFICATION:

ALL HINGE COMPONENTS IN BRUSHED NICKELPLATED BRASS.
PRODUCT SUITABLE FOR 8 TO 10mm TOUGHENED GLASS PANES.
MAX DOOR WIDTH 900mm MAX WEIGHT FOR 2No HINGES 45kg

HINGE SUPPLIED COMPLETE WITH:-

- 1) 2 No. x 1.4mm BLACK RUBBER GLAZING GASKETS.
- 2) 2 No. M6 x 16mm ST/ST HEX SOCKET HEAD CSK SETSCREWS
- 3) 1 No. HEX SOCKET ALLEN KEY TO SUIT
- 4) 3 No. 10 x 40mm POSI DRIVE SCREWS AND PLASTIC PLUGS

(NOTE CUSTOMER TO PROVIDE ALTERNATIVE FIXINGS
WHERE REQUIRED)



PRODUCT REF: SH/APH/H04-BN

DESCRIPTION: DIMENSIONED ELEVATIONS AND
REQUIRED GLASS PREP DETAIL

DRAWING REF: SH/APH/H04-BN